

RTD Institute of the Transilvania University of Braşov



TRANSILVANIA UNIVERSITY of BRAŞOV

The 11th IFTOMM
International Symposium
on Science of Mechanisms and Machines

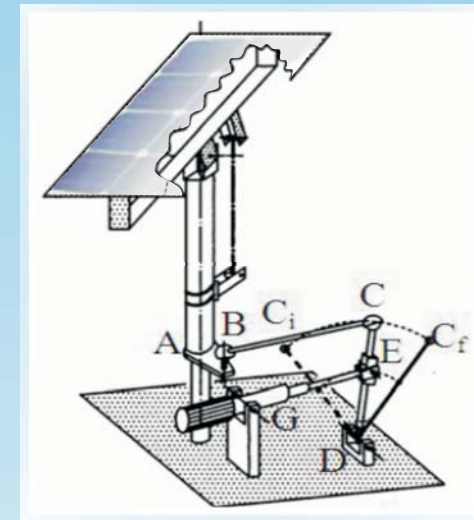
SYROM 2013

FIRST ANNOUNCEMENT
&
CALL FOR PAPERS



CONTACT: SYROM 2013

Transilvania University of Braşov
Design, Mechatronics and Environment Department
29 Bd. Eroilor, 500036, Braşov, Romania
Tel. 0040 268 472496 ; 0727886838;
e-mail: arotmm@unitbv.ro
Website: <http://www.arotmm.ro/syrom2013>



11-12 November 2013
Braşov, Romania

FIRST ANNOUNCEMENT & CALL FOR PAPERS

It is our pleasure to invite you to the 11th IFToMM International Symposium on Science of Mechanisms and Machines - SYROM 2013, organized by the Romanian Association for the Science of Mechanisms and Machines (ARoTMM), in the Transilvania University of Braşov, Romania, during 11-12 November 2013.

The SYROM'2013 is part of the International Federation for the Promotion of Mechanisms and Machines Science (IFToMM) conferences agenda.

SYROM 2013 CHAIRMAN

Ion VIŞA, President of the Romanian Association for the Science of Mechanisms and Machines ARoTMM, the Transilvania University of Braşov.

SCIENTIFIC PROGRAM COMMITTEE

Cătălin ALEXANDRU	Transilvania University of Braşov, Romania
Virgil ATANASIU	Technical University "Gh. Asachi" Iaşi, Romania
Ioan ARDELEAN	Technical University of Cluj-Napoca, Romania
Ion BOSTAN	Technical University of Moldavia, Chişinău, Moldavia
Marco CECCARELLI	University of Cassino, Italy
Burkhard CORVES	University of Aachen, Germany
Dorin DIACONESCU	Transilvania University of Braşov, Romania
Ioan DOROFTEI	Technical University "Gh. Asachi" Iaşi, Romania
Valeriu DULGERU	Technical University of Chişinău, Moldavia
Grigore GOGU	IFMA, Clermont Ferrand, France
Shuo HUNG CHANG	National Taiwan University, China-Taipei
Zhao JUN	Tianjin University, China-Beijing
Codruta JALIU	Transilvania University of Braşov, Romania
Erwin LOVASZ	Politehnical University of Timişoara, Romania
Vistrian MĂTIEŞ	Technical University of Cluj-Napoca, Romania
Karl-Heinz MODLER	Technical University of Dresden, Germany
Mircea NEAGOE	Transilvania University of Braşov, Romania
Dumitru NICOLAE	University of Craiova, Romania
Nicolae ORLANDEA	Ann Arbor University, Michigan, USA
Victor PETUYA	University of the Basque Country, Spain
Doina PÎSLA	Technical University of Cluj-Napoca, Romania
Alexandru RUS	University of Oradea, Romania
Teresa ZIELINSKA	Technical University of Warsaw, Poland

SYMPOSIUM TOPICS

The general thematic of the symposium follows the mechanisms conception, modeling, analysis, synthesis, and driving in advanced product design, applied to but not limited at:

1. Conceptual design (linkages, gears, cams, complex mechanisms)
2. Kinematic and dynamic modeling and simulation
3. Synthesis and optimisation
4. Applications in high-tech products
5. Trends in mechanisms education

LOCAL ORGANIZING COMMITTEE

Head of the Organizing Committee: **Codruta JALIU**, cjaliu@unitbv.ro

IMPORTANT DATES

- 15 December 2012* - Short abstract Submission of a
- 15 January 2013* - Notification of preliminary acceptance; Second Call
- 15 March 2013* - Full papers submission and Application Form
- 01 June 2013* - Reviewers comments, notification of acceptance,
- 15 July 2013* - Final papers submission
- 01 October 2013* - Final programme

PROCEEDINGS

The symposium proceedings will be subject of peer review and will be published in a main stream journal.

The official symposium language is English.

ABSTRACT SUBMISSION

You are kindly invited to submit a 200-300 words abstract.

The document should be edited using MS Word and will sent either on-line, at www.arotmm.ro/syrom2013, or by e-mail, arotmm@unitbv.ro